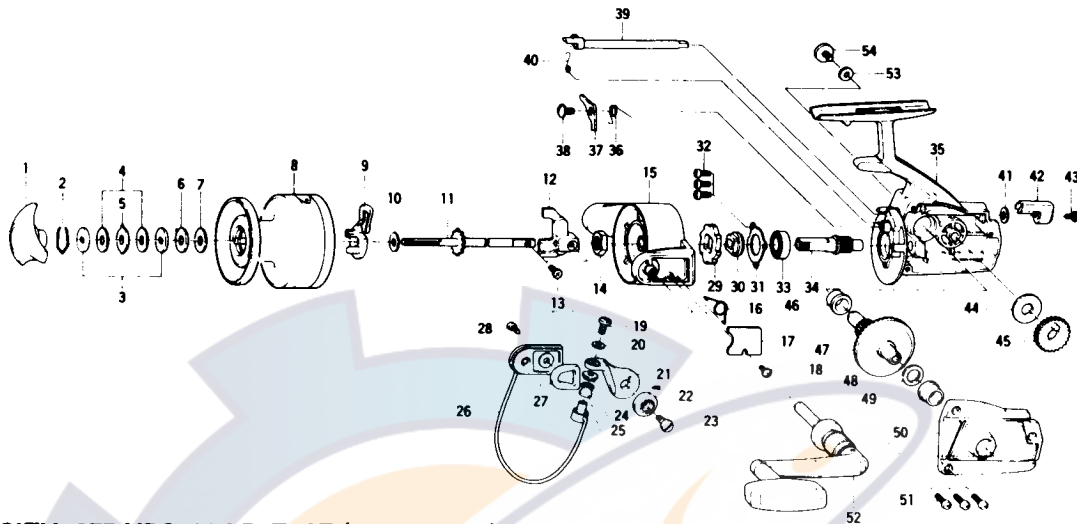


SPINNING REEL **2600C**



LINE CAPACITY: 275 YDS. 12 LB. TEST (250m. 5.5kg)

Key No. 2 ~ 9

6-732-4701 Spool assembly \$12.10

Key No.	Parts No.	Parts Name	Price Per Piece	Key No.	Parts No.	Parts Name	Price Per Piece
1	6-740-2103	Drag knob	\$2.00	28	6-351-6601	Bail holder screw	\$.10
2	6-170-4001	Drag washer retainer	.10	29	6-280-7001	Ratchet	.60
3	6-373-2502	Drag D washer	.15	30	6-636-6701	Click gear	.25
4	6-374-2901	Disc washer	.20	31	6-635-9901	Ball bearing ret. washer	.25
5	6-375-5301	Drag A washer	.15	32	6-351-6601	Ball bearing ret. washer screw	.10
6	6-370-6901	Drag washer A	.15	33	6-635-4801	Ball bearing	4.00
7	6-371-2731	Drag washer B	.10	34	6-402-7501	Pinion gear	1.20
8	6-732-4801	Spool	N/A	35	6-701-0001	Body	4.75
9	6-030-5901	Spool click claw	.25	36	6-144-5601	Anti-reverse claw spring	.10
10	6-374-9002	Spool washer	.10	37	6-111-5801	Anti-reverse claw	.40
11	6-710-9123	Main shaft	.95	38	6-352-1102	Anti-reverse claw screw	.10
12	6-481-0901	Oscillating slider	.40	39	6-461-5001	Anti-reverse cam	1.10
13	6-351-8901	Oscillating slider screw	.10	40	6-144-0301	Anti-reverse cam spring	.15
14	6-340-8301	Rotor nut	.20	41	6-373-2700	Anti-reverse lever washer	.10
15	6-201-7703	Rotor	3.00	42	6-541-1901	Anti-reverse lever	.15
16	6-143-5311	Bail spring	.15	43	6-352-2501	Anti-reverse lever screw	.10
17	6-632-6411	Bail spring cover	.15	44	6-374-6600	Oscillating gear washer	.10
18	6-352-2501	Bail spring cover screw	.10	45	6-412-3401	Oscillating gear	.20
19	6-363-3111	Bail screw	.35	46	6-501-6201	Bearing metal	.40
20	6-375-1101	Bail washer	.10	47	6-413-1401	Drive gear	1.75
21	6-231-1901	Arm lever	1.50	48	6-371-2820	Drive gear washer	.10
22	6-130-3201	Bail holder cap	.10	49	6-501-6201	Bearing metal	.40
23	6-363-1901	Arm lever screw	.30	50	6-706-6001	Body cover	2.90
24	6-501-2001	Roller collar	.25	51	6-351-8501	Body cover screw	.10
25	6-250-4301	Line roller	.30	52	6-746-8821	Handle	4.65
26	6-725-5621	Bail	2.55	53	6-371-9521	Handle washer	.10
27	6-210-3111	Balancer	.35	54	6-351-3631	Handle screw	.30